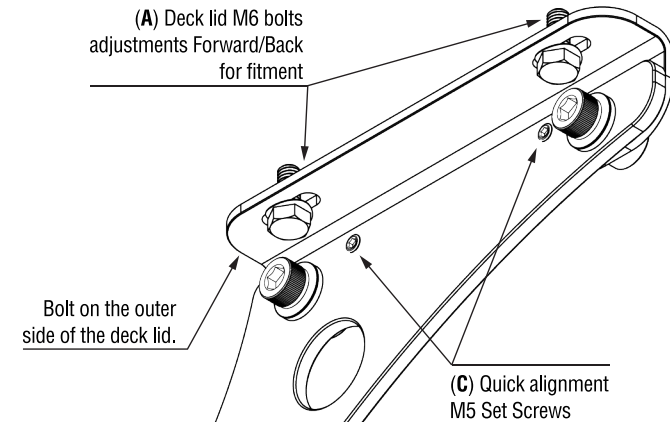
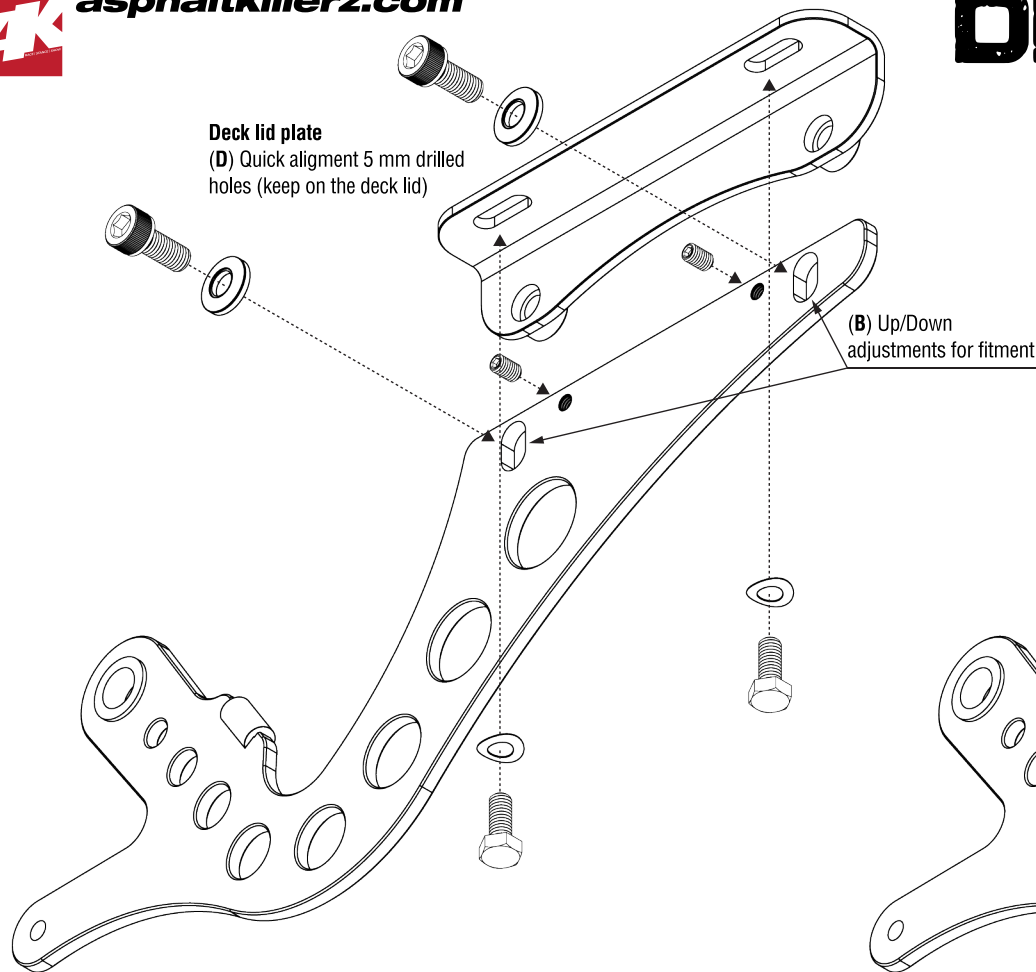


# DECK LID HINGE



## INSTALLATION INSTRUCTIONS:

Remove the existing deck lid from the car.  
 Remove the clip and pin from the hinge shock mechanism.  
 Unbolt the hinge pivot bolt from each side of the existing hinges. Put the shoulder bolt and nuts to the side for use with your new hinges.  
 Take a set of deck lid plates with 6 mm bolts and spring washers (in a bag) and bolt the plates to the deck lid (A). The deck lid bolt flange should be towards the outside of the car.  
 Leave the (A) bolts slightly loose to allow for adjustment.  
 Install the new slotted deck lid hinges on your car. The brass flange should face toward the engine. Using the existing shoulder bolt and nut tighten completely.  
 Reinstall the decklid struts with the pin and a clip.  
 Grab two M8 bolts w/washers to attach the deck lid.  
 With help, lower the deck lid onto the hinges and align the slots on the hinges with the decklid plates.  
 Insert the M8 bolts and finger-tighten the bolts.  
 Now cover the edges of the deck lid opening with painter's tape to protect the finish.  
 Lower the deck lid slowly and adjust bolts to get perfect gaps, forward and back (A) and up and down (B).  
 Once perfect tighten all mounting bolts for use.

## QUICK CHANGE SETUP INSTRUCTIONS:

Note: The deck lid needs to be perfectly aligned, it will stay aligned based on the process.  
 Insert M5 set screws into the holes (C).  
 Tighten set screws to make an indent in the deck lid plate.  
 Remove the deck lid from the car, and remove only (B) M8 bolts. Leave the plates attached to each of your deck lids.  
 With help, drill 5 mm holes where the set screws left indent in plates. Check to ensure the M5 cap screws supplied fit the drilled holes.  
 These holes are now perfect alignment holes for your deck lid and car when you reinstall. They also allow you to remove/install with no help but be careful.

## TO RE-INSTALL A DECK LID

Insert the M5 cap screw into the alignment holes on the deck lid hinge  
 Slide the deck lid onto the hinges, align the holes in the plates with the M5 protruding screws.  
 Install M8 screws (B) into the deck lid plates and tighten. Remove the M5 alignment screws and test close slowly. It should be perfect.